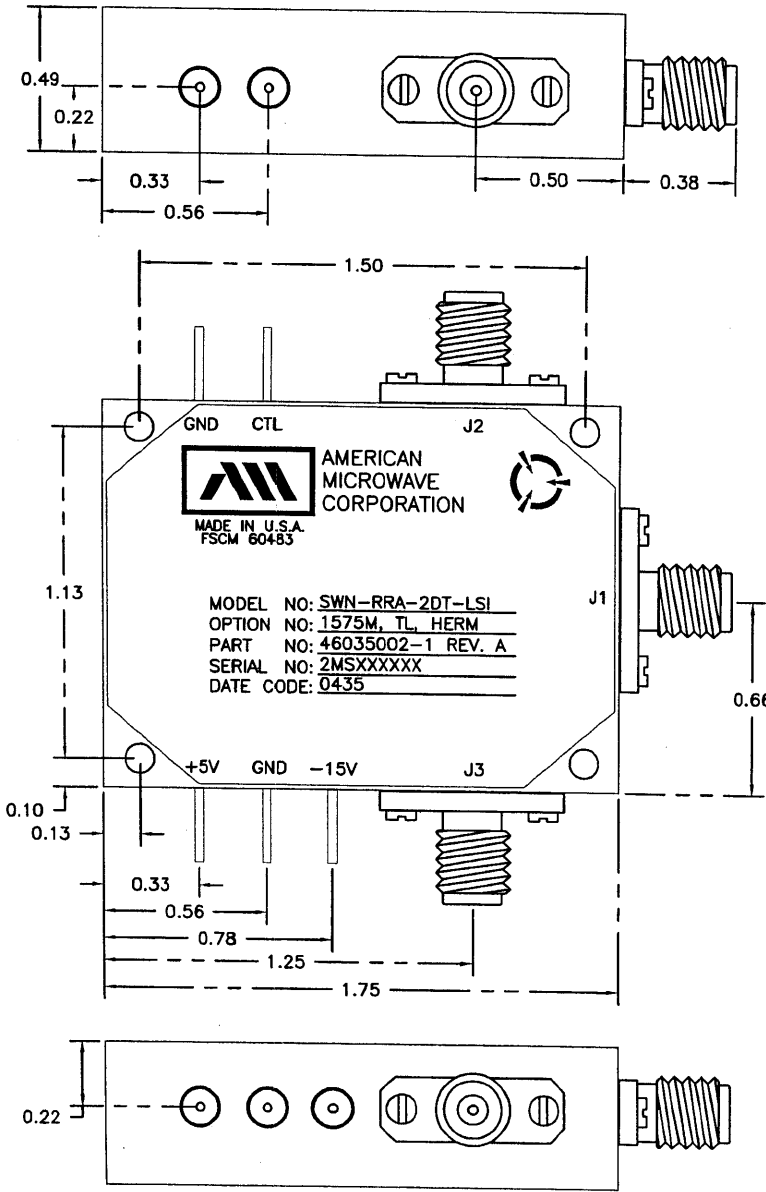


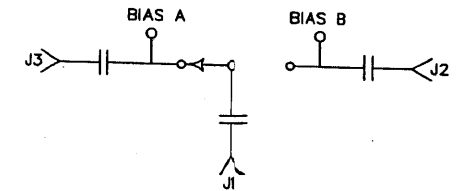
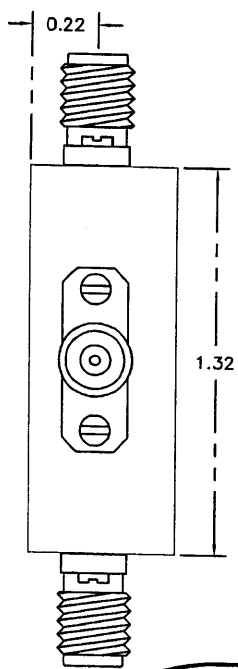
**DESCRIPTION**

AMC MODEL SWN-RRA-2DT-LSI OPTION: 1575M, TL, HERM IS A HERMETICALLY SEALED, SINGLE POLE TWO THROW SWITCH DESIGNED TO OPERATE AT THE 1575.42 MHz FREQUENCY BAND WITH AN INSERTION LOSS OF < 2.0 dB AND AN ISOLATION OF > 40 dB. THE SIZE IS 1.75"(L) x 1.32"(W) x 0.49"(H).

REVISIONS				
ZONE	REV.	DESCRIPTION	DATE	APPROVED
-	-	ORIGINAL RELEASE JOB# 407150E	8/26/04	




**MECHANICAL OUTLINE**



ALL DIMENSIONS ARE IN INCHES  
 TOLERANCES:  
 X.XX ±0.020  
 X.XXX ±0.010

**AMERICAN MICROWAVE CORPORATION**  
 7311-G GROVE ROAD  
 FREDERICK, MARYLAND 21704 USA  
 TEL: 301-662-4700 FAX: 301-662-4938  
 WEBSITE: [www.americanmicrowavecorp.com](http://www.americanmicrowavecorp.com)  
 E-MAIL: [sales@americanmicrowavecorp.com](mailto:sales@americanmicrowavecorp.com)  
 ISO 9001:2000 CERTIFIED



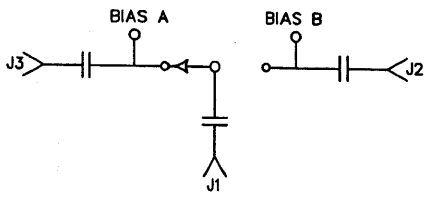
APPROVALS		DATE	TITLE		
DRAWN	<i>JDJ</i>	8/26/04	MECHANICAL OUTLINE SWN-RRA-2DT-LSI OPTION: 1575M, TL, HERM 1575.42 MHz, SINGLE POLE TWO THROW SWITCH		
CHECKED	<i>PA</i>	7/7/04	SIZE	FSCM NO.	DWG NO.
ISSUED			A	60483	100-7062
			SCALE	N:S	SHEET 2 OF 3

# DESCRIPTION

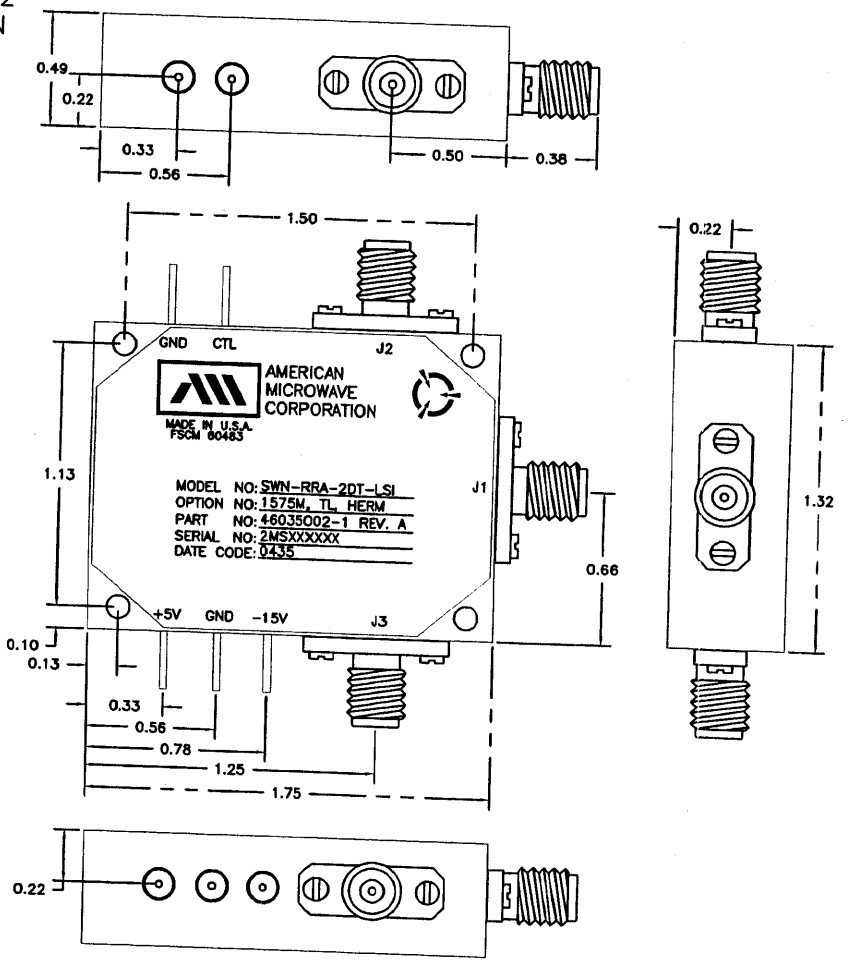
AMC MODEL SWN-RRA-2DT-LSI OPTION: 1575M, TL, HERM IS A HERMETICALLY SEALED, SINGLE POLE TWO THROW SWITCH DESIGNED TO OPERATE AT THE 1575.42 MHz FREQUENCY BAND WITH AN INSERTION LOSS OF < 2.0 dB AND AN ISOLATION OF > 40 dB. THE SIZE IS 1.75"(L) x 1.32"(W) x 0.49"(H).

# SPECIFICATIONS

- FREQUENCY: ..... 1575.42 MHz
- BANDWIDTH: ..... 10 MHz MINIMUM; 3 dB
- SWITCHING SPEED: ..... < 500 nSec
- ON TIME: ..... < 2.5 TIMES THE SWITCHING SPEED
- INPUT VSWR: ..... < 2.0:1 AT 1575 MHz
- OUTPUT VSWR: ..... < 2.0:1 AT 1575 MHz
- INSERTION LOSS: ..... < 2.0 dB
- ISOLATION: ..... > 40 dB
- CONTROL: ..... TTL: ACTIVE LOW  
 LO=0 TO 0.8V @ 1.75 mA MAXIMUM SINK (J1-J2=ON)  
 HI=2 TO 5V @ 50 μA MAXIMUM SOURCE (J1-J3=ON)
- POWER: ..... +5V @ 100 mA  
 -15V @ 100 mA
- SIZE: ..... 1.75"(L) x 1.32"(W) x 0.49"(H)



ZONE		REV.		DESCRIPTION	DATE	APPROVED
				ORIGINAL RELEASE JOB# 407150E	8/26/04	EAC



# ENVIRONMENTAL RATINGS

- TEMPERATURE: ..... -55°C TO +85°C (OPERATING)  
 -65°C TO +125°C (STORAGE)
- HUMIDITY: ..... MIL-STD-202F, METHOD 103B COND. B
- SHOCK: ..... MIL-STD-202F, METHOD 213B COND. B
- VIBRATION: ..... MIL-STD-202F, METHOD 204D COND. B
- ALTITUDE: ..... MIL-STD-202F, METHOD 105C COND. B
- TEMPERATURE CYCLE: ..... MIL-STD-202F, METHOD 107D COND. A

NOTE: SPECIFICATIONS WILL VARY OVER OPERATING TEMPERATURE  
 NOTE: THE ABOVE SPECIFICATIONS ARE SUBJECT TO CHANGE OR REVISION

ALL DIMENSIONS ARE IN INCHES  
 TOLERANCES:  
 X.XX ±0.020  
 X.XXX ±0.010

## AMERICAN MICROWAVE CORPORATION

7311-G GROVE ROAD  
 FREDERICK, MARYLAND 21704 USA  
 TEL: 301-662-4700 FAX: 301-662-4938  
 WEBSITE: [www.americanmicrowavecorp.com](http://www.americanmicrowavecorp.com)  
 E-MAIL: [sales@americanmicrowavecorp.com](mailto:sales@americanmicrowavecorp.com)  
 ISO 9001:2000 CERTIFIED

APPROVALS		DATE	TITLE	
DRAWN <i>gds</i>		8/26/04	PRODUCT FEATURE SWN-RRA-2DT-LSI OPTION: 1575M, TL, HERM 1575.42 MHz, SINGLE POLE TWO THROW SWITCH	
CHECKED <i>PA</i>		9/7/04	SIZE	FSCM NO.
ISSUED			A	60483
			DWG NO.	100-7062
			SCALE	N:S
			REV.	-
			SHEET	1 OF 3